



Minesoft Product Review



minesoft

Jochen Lennhof

Specialists in Patent Information

- Building Intelligent Patent Information Solutions since 1996

Trusted by IP experts Worldwide

- Corporations, National Patent Offices, Patent Attorneys and Patent Search Firms worldwide

International Customer Support

- Global client base, including USA, Germany, Japan, India and Israel



Patent Families

A yellow circular node with a drop shadow, connected to the central 'Full Text' node by a green line. The background of the slide features a faint technical drawing of a mechanical part with various dimensions and labels.

- 101 Authorities
- Updated Daily
- National Data Feeds
- Legal Status Searching



PatBase®

The PatBase logo, consisting of the word 'PatBase' in blue and yellow text with a registered trademark symbol, enclosed in a yellow and blue oval shape.



Full Text

A grey circular node with a drop shadow, connected to the central 'PatBase' logo and the 'Patent Families' node by green lines.

- 21 Full Text Collections
- Non Latin Collections JP, CN, KR, & PCT
- Abstracts from over 50 Authorities
- Searchable Full Text Translations
- PDF Copies



Added Value

An orange circular node with a drop shadow, connected to the central 'Full Text' node by a green line.

- Class Revisions (IC, EP, US & JP)
- Citations grouped by families
- Manual Corrections
- Special Indexing
- Normalisation

New Image Browser

- Browse Drawings from multiple Family Members

1) Family number: 2290008 (US4590840A)

Title: [EN] Flash hole closure for primer **battery cups**

Abstract: Source: US4590840A [EN] Apparatus and method for covering flash holes in a primer **battery cup** where the anvil is formed integrally with the plate which, in cooperation with the outside rim of the primer **battery cup**, blanks out an imperforate, covering-medium disk. As the tubular **rolling pin** point of the **battery cup**. The blanked and now perforated disk is inserted further into the **battery cup** by the **rolling pin** and seated over the flash holes

• Add Custom User Fields

Classifications: [Classification Explorer](#)

International [IPC](#) 1-2 F42B3/195 (Advanced/Invention)

F42B3/00 (Core/Invention)

International [IPC](#) 1-2 F42B33/04 F42B5/02 F42C19/08

European: F42B3/195

US: 102/204 102470 86/10 86/12

German class: F42B33/04

Family: [Family Explorer](#)

Publication number	Publication date	Application number	Application date	Links
IT8548714 A0	19851024	IT19850048714	19851024	
BE903500 A1	19860217	BE19850215765	19851022	
FR2573197 A1	19860516	FR19850016614	19851108	
DE3536455 A1	19860522	DE19853536455	19851012	
US4590840 A	19860527	US19840669775	19841109	
DE3536455 C2	19870806	DE19853536455	19851012	
IT1182936 A	19871005	IT19850048714	19851024	
FR2573197 B1	19880909	FR19850016614	19851108	
CA1242611 A1	19881004	CA19850491738	19850927	

Priority: [Priority Map](#)

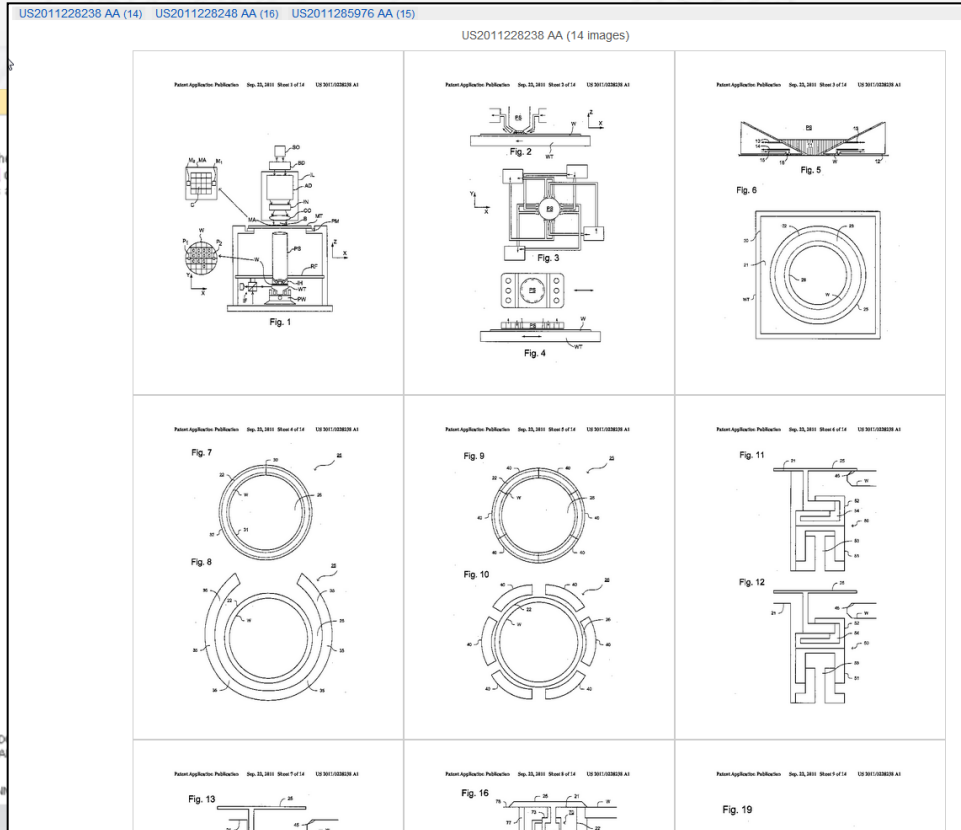
US19840669775 19841109

Assignee(s): (std) FEDERAL HOFFMANN INC ; FEDERAL CARTRIDGE CORP ; FED CARTRIDGE CORP

Assignee(s): FEDERAL CARTRIDGE A MN CORP CORP ; FEDERAL CARTRIDGE CO ; FEDERAL CARTRIDGE CORP MINNEAPOLIS MINN US ; FEDERAL CARTRIDGE BANK NATIONAL ASSOCIATION FIRST BANK PL MINN ; FIRST NATIONAL BANK OF BOSTON ; FIRST NATIONAL BANK OF BOSTON 100 FEDERAL

Inventor(s): (std) KENT STEPHEN J ; PROULX RICHARD W

Inventor(s): RICHARD W PROULX ET STEPHEN J KENT ; W PROULX RICHARD ; PROULX RICHARD W FOREST LAKE MINN US ; KENT STEPHEN J ANOKA MINN



Cross Lingual Search

- Powered by WIPO's CLIR service
- Translate terms into English, German, French, Spanish & Portuguese
- Add selected search terms directly to your search
- Also available to translate terms into Japanese, Chinese & Korean

Term to translate: AIRFOIL

Translate

Translate from: English

Narrow Broad

- | | | |
|---|---------|--|
|  | English | <input type="checkbox"/> airfoil |
| | | <input type="checkbox"/> profile |
|  | German | <input type="checkbox"/> Profil |
| | | <input type="checkbox"/> Tragfluegel |
| | | <input type="checkbox"/> Schaufel |
| | | <input type="checkbox"/> Turbinenschaufel |
| | | <input type="checkbox"/> airfoil |
| | | <input type="checkbox"/> Schaufelblatt |
| | | <input type="checkbox"/> Fluegelprofil |
| | | <input type="checkbox"/> Tragflaeche |
| | | <input type="checkbox"/> Schaufelprofil |
|  | French | <input type="checkbox"/> profil |
| | | <input type="checkbox"/> profil aerodynamique |
| | | <input type="checkbox"/> surface portante |
| | | <input type="checkbox"/> aile porteuse |
| | | <input type="checkbox"/> profil aile additionnel |
| | | <input type="checkbox"/> portantes |
| | | <input type="checkbox"/> sustentation |
| | | <input type="checkbox"/> type aerodynamique |
|  | Spanish | <input type="checkbox"/> perfil |
| | | <input type="checkbox"/> elementos |
| | | <input type="checkbox"/> ala |

New Legal Status Search & Display Improvements

- Search INPADOC Legal Status events (PRS)
- Easy to use Look-up to find PRS Codes
- Create Alerts on Legal Status
- Display INPADOC Legal Status below each record on screen or within exports
- Direct links to National Registers still included (over 20 Registers covered)

Please enter a country code: [?](#)

Search by event code (PRS code) or by keywords e.g. lapsed

Click on a row to automatically paste the required event code and country into the Legal Status Search Form.

Search for event code or keyword:

Event Country	Event Code	Action	Event
US	AS		ASSIGNMENT
US	AS02		ASSIGNMENT OF ASSIGNOR'S INTEREST
US	AS08		CONDITIONAL ASSIGNMENT
US	AS09		ASSIGNMENT OF A PART OF ASSIGNORS INTEREST
US	AS10		ASSIGNMENT OF 1/2 OF ASSIGNORS INTEREST
US	AS11		ASSIGNMENT OF 1/4 OF ASSIGNORS INTEREST
US	AS18		ASSIGNMENT OF ASSIGNOR'S INTEREST - CORRECTION INFORMATION
US	AS19		CORRECTIVE ASSIGNMENT - CORRECT PREVIOUS ITEM
US	AS20		ASSIGN THE ENTIRE INTEREST
US	AS22		COLLATERAL ASSIGNMENT
US	AS27		NUNC PRO TUNC ASSIGNMENT
US	AS28		CORRECTED ASSIGNMENT
US	AS30		CONFIRMATORY ASSIGNMENT
US	AS37		TO CORRECT THE NAME OF THE ASSIGNEE
US	AS99		OTHER ASSIGNMENTS
US	XAS		NOT ANY MORE IN US ASSIGNMENT DATABASE

New Functionality - Searching

- Search terms within the same publication
- Search terms within a Paragraph
- Search Non-Latin assignee names directly in search form or command line
- Annotate your search History

New Functionality

- **New 'Compare' tool** (beta) to compare the Application to the Grant or Claims to Description,
- **New On-the-fly highlighting** in full text
Select a word or phrase to open the highlighting - no need to retype the word(s).
- **Publish search results** directly from search history
- **New Excel export** format (XLSX)



Thank you very much for your attention

UK Office

Tel: +44 (0)20 8404 0651

Email: info@minesoft.com

German Office

Tel +49 (0)211 7495 0930

Email: germany@minesoft.com

North America:

Tel: (toll free) 1866 745 3621

Email: usa@minesoft.com

Japan Office:

Tel : +81 (0)3 5403 9191

Email: patbase@rws-group.co.jp

minesoft

